

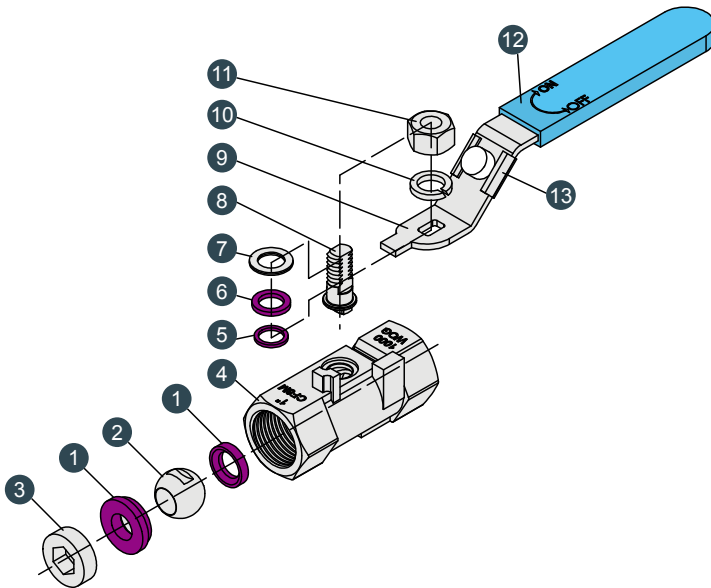
STANDARD:

- Investment Casting Body & Cap
- Blow-Out Proof Stem
- Reduce Port
- Refine Stem Packing Available
- Locking Device Handle Available
- Butterfly Handle /as request/
- Design Standard:ASME B16.34
- Wall Thickness:ASME B16.34,GB 12224
- Several Handle Material Available
- All Kind of Screws Available
- Inspection Standard:API598

Pressure Temperature Compare

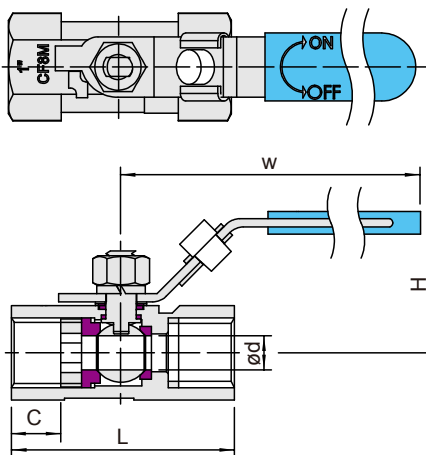


Technical Data			
Test Pressure	Shell Test	9.0	MPA
	Tightness Test	7.50	
	Gas-Tightness Test	0.8	
Max Working Temperature		-20°C~+160°C	
Applicable Medium:Water,Oil,Gas,Acid			



No.	PARTS	MATERIAL	
1	Ball Seat	PTFE	R-PTFE
2	Ball	SS316	SS304
3	End Plug	SS316	SS304
4	Body	CF8M	CF8 WCB
5	Thrust Washer	PTFE	
6	Stem Packing	PTFE	
7	Washer	SS304	
8	Stem	SS316	SS304
9	Handle	SS304	SS201
10	Spring Washer	SS304	
11	Stem Nut	SS304	SS201
12	Handle Cover	PLASTIC	
13	Locking Device	SS304	SS201

PPL & PEEK High temperature ball seat available



Unit:mm

SIZE	d	L	L1	H	W	C	TORQUE N.M
1/4"	5	40	40	28	75	10	3
3/8"	7	45	44	31	90	10.5	3
1/2"	9	57	51	34	95	13.5	5
3/4"	12	60	55	43	95	14	7
1"	15	70	62	52	111	16.5	8
1 1/4"	20	77	70	52	124	19	13
1 1/2"	25	83	76	65	139	19	15
2"	32	98	89	70	152	23.5	20

L1=Economic type(donot have locking device)
L=Standard type(locking device handle available)