

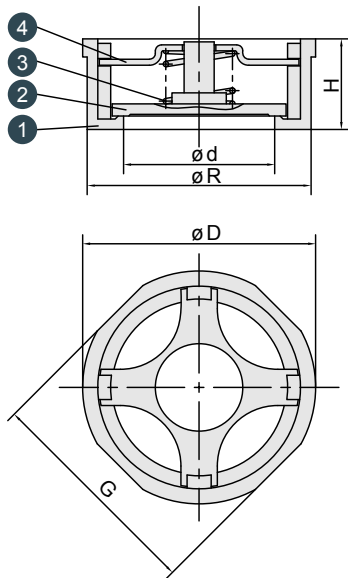
**STANDARD:**

- Investment Casting Body & Cap
- 800PSI PN40
- Flange Standard: DIN PN10-40 ANSI 150LB
- Design Standard: ASME B16.34
- Inspection Standard: API598



MC1050

Technical Data			
Test Pressure	Shell Test	3.0	MPA
	Tightness Test	3.5	
	Gas-Tightness Test	0.8	
Max Working temperature		-40°C~+250°C	
Applicable Medium: Water, Oil, Gas, Acid			



No.	PART NAME	MATERIAL	
1	Cap	CF8M	CF8
2	Gasket	CF8M	CF8
3	Disc	SS316	SS304
4	Spring	CF8M	CF8
5	Body	CF8M	CF8

Unit:mm

SIZE	d	R	H	D	G
1/2"	15	43	16	53	45
3/4"	20	53	19	63	55
1"	25	57	22	73	65
1 1/4"	32	74	28	84	79
1 1/2"	38	82	32	94	89
2"	48	91	40	106	100
2 1/2"	62	112	46	127	118
3"	77	135	50	144	135