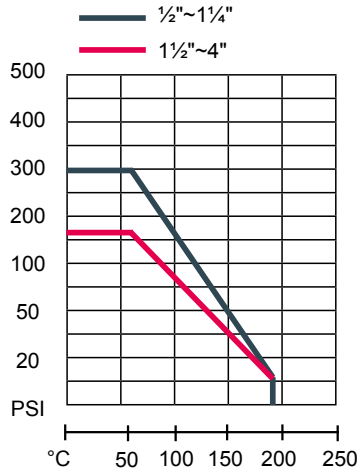


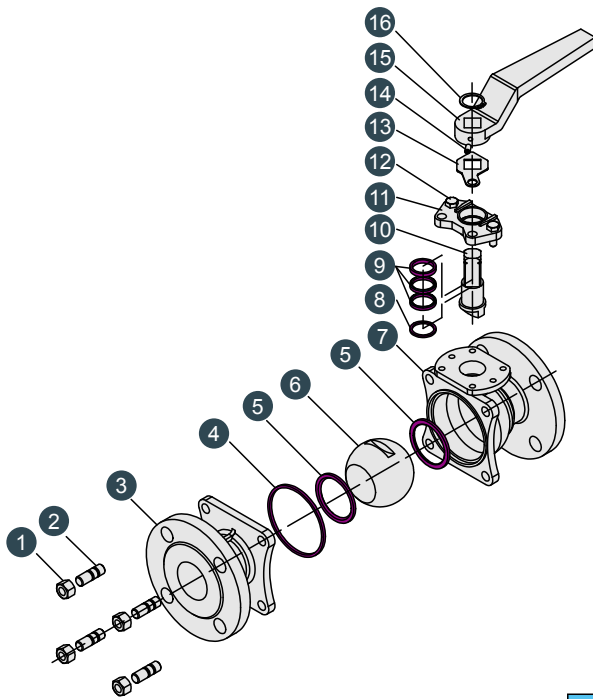
STANDARD:

- Investment Casting Body & Cap
- Blow-Out Proof Stem
- Full Port 2-PC Design ANSI 150#
- ISO Mounting Pad Top Flange
- Pressure Blance Hole in Ball Solt(as request)
- Locking Device Handle Available
- Design Standard:ASME B16.34
- Wall Thickness:ASME B16.34,GB 12224
- Flange Standard:ASME B16.5
- Fire-Safe Design Available
- Several Handle Material Available
- Inspection Standard:API598

Pressure Temperature Compare



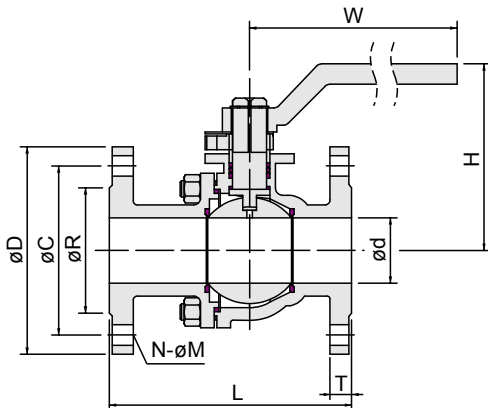
Technical Data			
Test Pressure	Shell Test	9.0	MPA
	Tightness Test	7.50	
	Gas-Tightness Test	0.8	
Max Working temperature		-20°C~+160°C	
Applicable Medium:Water,Oil,Gas,Acid			



No.	PARTS	MATERIAL		
1	Nut	A194-8		
2	Bolt	A193-B8		
3	Cap	CF8M	CF8	WCB
4	Gasket	PTFE	R-PTFE	
5	Ball Seat	PTFE	R-PTFE	
6	Ball	SS316	SS304	
7	Body	CF8M	CF8	WCB
8	Thrust Washer	PTFE	R-PTFE	
9	V-Ring Packing	PTFE	R-PTFE	
10	Stem	SS316	SS304	
11	Gland	CF8	SS201	
12	Bolt	A193-B8		
13	Position Washer	SS201		
14	Bolt	A193-B8		
15	Handle	SS304	SS201	
16	Stop Washer	SS304	SS201	

PPL & PEEK High temperature ball seat available

Unit:mm



SIZE	d	L	H	W	R	C	D	N	M	T	TORQUE N.M
1/2"	15	108	78	145	35	60.5	89	4	16	11.2	6
3/4"	20	117	80	145	43	70	98	4	16	11.2	8
1"	25	127	88	145	51	80	108	4	16	12.0	10
1 1/4"	32	140	100	180	64	89	117	4	16	12.7	17
1 1/2"	38	165	123	240	73	98.5	127	4	16	14.3	22
2"	48	178	130	240	92	120.5	152	4	19	15.9	30
2 1/2"	65	190	150	240	105	140	178	4	19	17.5	45
3"	78	203	165	300	127	152.5	191	4	19	19.1	80
4"	98	229	185	300	157	190.5	230	8	19	23.9	115