

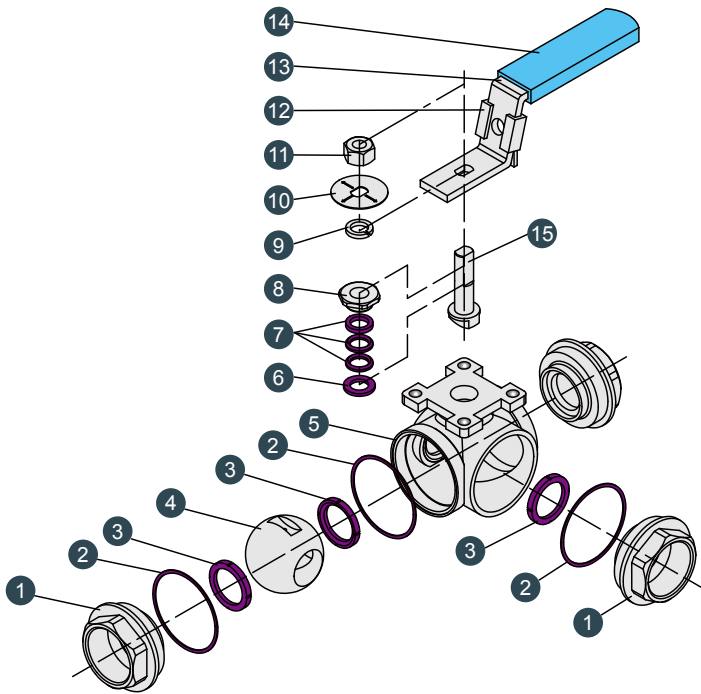
STANDARD:

- Investment Casting Body & Cap
- Blow-Out Proof Stem
- Reduce Port 3-Way Design
- Locking Device Handle Available
- ISO Mounting Top Flange
- 4 Sets Ball Seat
- L, T, X Port Available
- Design Standard: ASME B16.34
- Wall Thickness: ASME B16.34, GB 12224
- Several Handle Material Available
- All Kind of Screws Available
- Inspection Standard: API598

Pressure Temperature Compare

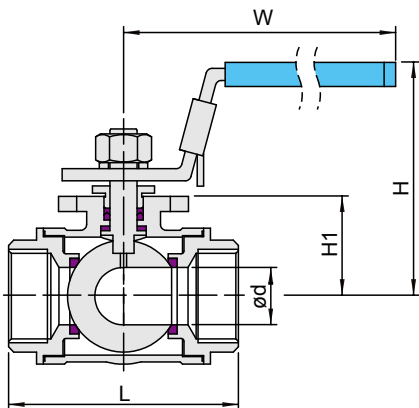


Technical Data			
Test Pressure	Shell Test	10.0	MPA
	Tightness Test	7.50	
	Gas-Tightness Test	0.8	
Max Working temperature		-20°C~+160°C	
Applicable Medium: Water, Oil, Gas, Acid			



No.	PARTS	MATERIAL		
1	Cap	CF8M	CF8	WCB
2	Gasket	PTFE		R-PTFE
3	Ball Seat	PTFE		R-PTFE
4	Ball	SS316		SS304
5	Body	CF8M	CF8	WCB
6	Thrust Washer	PTFE		R-PTFE
7	Stem Packing	PTFE		R-PTFE
8	Stop Nut	SS304		SS201
9	Spring Washer	SS304		SS201
10	Direction Washer	Aluminum		
11	Stem Nut	A194-8		
12	Locking Device	SS304		SS201
13	Handle	SS304		SS201
14	Handle Cover	PLASTIC		
15	Stem	SS316		SS304

Unit:mm



SIZE	d	L	H	H1	W	ISO	TORQUE N.M
1/4"	8	53	55	20	110	F03	4
3/8"	8	53	55	20	110	F03	4
1/2"	12	73	70	30	115	F03	9
3/4"	15	83	70	35	115	F04	11
1"	20	95	75	36	130	F04	20
1 1/4"	25	108	85	44	145	F04	22
1 1/2"	32	123	95	53	180	F05	25
2"	43	143	120	67	210	F07	32