

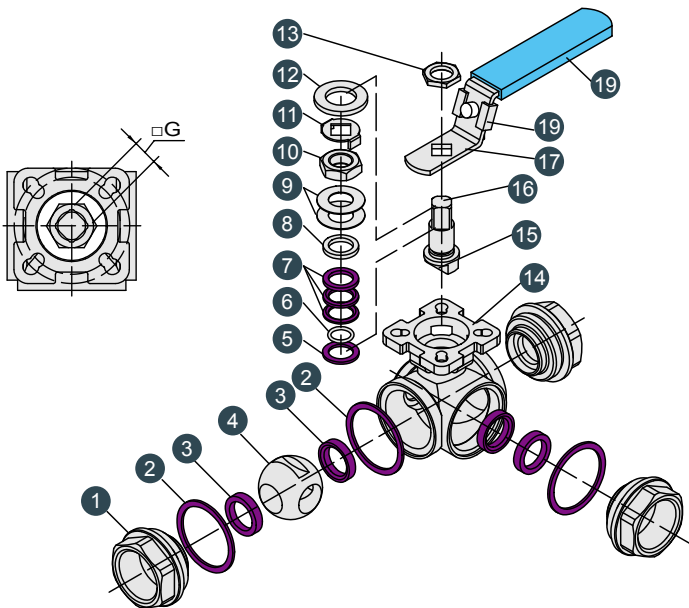
STANDARD:

- Investment Casting Body & Cap
- Blow-Out Proof Stem
- Reduce Port 3-Way Design
- Locking Device Handle Available
- ISO Direct Mounting Top Flange
- 4 Sets Ball Seat
- L, T, X Port Available
- Design Standard: ASME B16.34
- Wall Thickness: ASME B16.34, GB 12224
- Several Handle Material Available
- All Kind of Screws Available
- Inspection Standard: API598

Pressure Temperature Compare

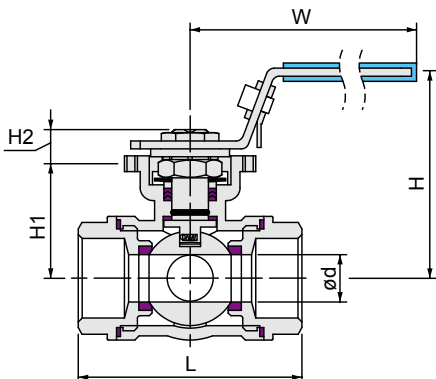


Technical Data			
Test Pressure	Shell Test	10.0	MPA
	Tightness Test	7.50	
	Gas-Tightness Test	0.8	
Max Working temperature		-20°C~+160°C	
Applicable Medium: Water, Oil, Gas, Acid			



No.	PARTS	MATERIAL		
1	Cap	CF8M	CF8	WCB
2	Gasket	PTFE	R-PTFE	
3	Ball Seat	PTFE	R-PTFE	
4	Ball	SS316	SS304	
5	Thrust Washer	PTFE	R-PTFE	
6	O-Ring	VITON		
7	Stem Packing	PTFE	R-PTFE	
8	Gland	SS304	SS201	
9	Beleville Washer	SS304	SS201	
10	STop Nut	A194-8		
11	Stop Washer	SS304	SS201	
12	Gland	SS304	SS201	
13	Stem Nut	SS304	SS201	
14	Body	CF8M	CF8	WCB
15	Anti-Static Device	SS316	SS304	
16	Stem	SS316	SS304	
17	Handle	SS304	SS201	
18	Locking Device	SS304	SS201	
19	Handle Cover	Plastic		

Unit:mm



SIZE	d	L	H	H1	H2	G	W	ISO	TORQUE N.M
1/4"	12	65	70	40	9	9	115	F03/04	4
3/8"	12	65	70	40	9	9	115	F03/04	4
1/2"	12	65	70	40	9	9	115	F03/04	9
3/4"	15	85	75	43	9	9	120	F03/04	11
1"	20	90	90	48	11	11	130	F04/05	20
1 1/4"	25	105	95	51	11	11	190	F04/05	22
1 1/2"	32	120	98	62	14	14	190	F05/07	25
2"	44	135	105	72	14	14	190	F07/10	32